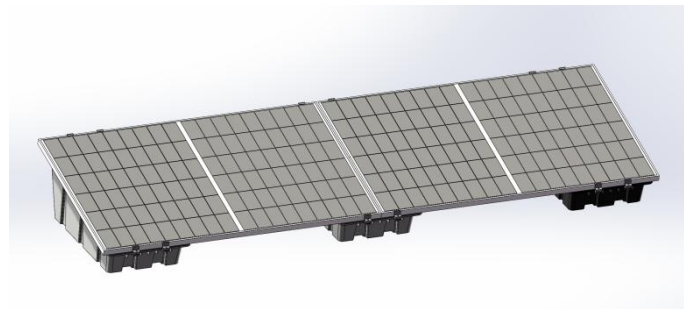
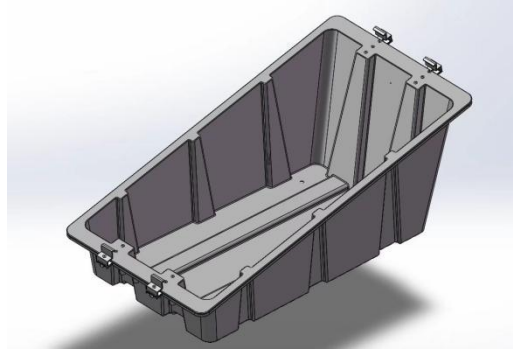




Ground Solar Mounting

Installation Instructions



General Guidelines

- The Solarfam GPPM ground solar mounting system for installing solar modules on the ground and green areas, open spaces, flat roofs with a pitch of up to 5° without penetrating the roof. (excluding hydrogen sulphide exposure)
- The Solarfam GPPM is weighed down with ballast (gravel, paving slabs etc.) in order to resist wind loads. The required weight of the ballast depends on the height of the building, its location and the condition of the installation surface in addition to the magnitude of the wind loads. Guideline values for the necessary ballast can be calculated using Eurocode 1 (EN 1991).
- The Solarfam GPPM can be stored and used at ambient temperatures of between -40 °C and +60 °C.
- The roof area must be free of snow, ice and dirt during installation. The maximum snow load on the roof is 2.5kN/m²
- Be sure to observe the relevant regulations, latest technology standards and current health and safety guidelines during installation and, in particular, while working on the roof.



Ground Solar Mounting

Testing/Certification

- CE
- ROHS
- The Solarfam GPPM materials have been tested UV aging 500h for the ISO4892-3:2016, GB/T 250-2008 standards.
- The Solarfam GPPM have been tested for fire behaviour in accordance with DIN EN ISO 11925-2:2011-02 and categorised as class "E" in accordance with DIN EN 13501-1:2010-01

Warranty

The Solarfam GPPM warranty only applies if an original the solarfam GPPM ground solar complete system is used and the warranty terms and conditions are met. The warranty is 10 years. The solarfam GPPM may become elastically deformed as a result of transportation and packaging, this will not impair the performance.

! The structural stability of the PV system must be verified before installation. The building must be able to support the additional weight safely.

Instructions

1. Put the brackets at intervals.





Ground Solar Mounting

2. Take out 2 profile guide rails, and fix the guide rails at the lower end of the bracket with 4 M6*25mm self-tapping screws.



3. Take out 2 profile guide rails, and fix the guide rails on the upper end of the bracket with 4 M6*25mm self-tapping screws.



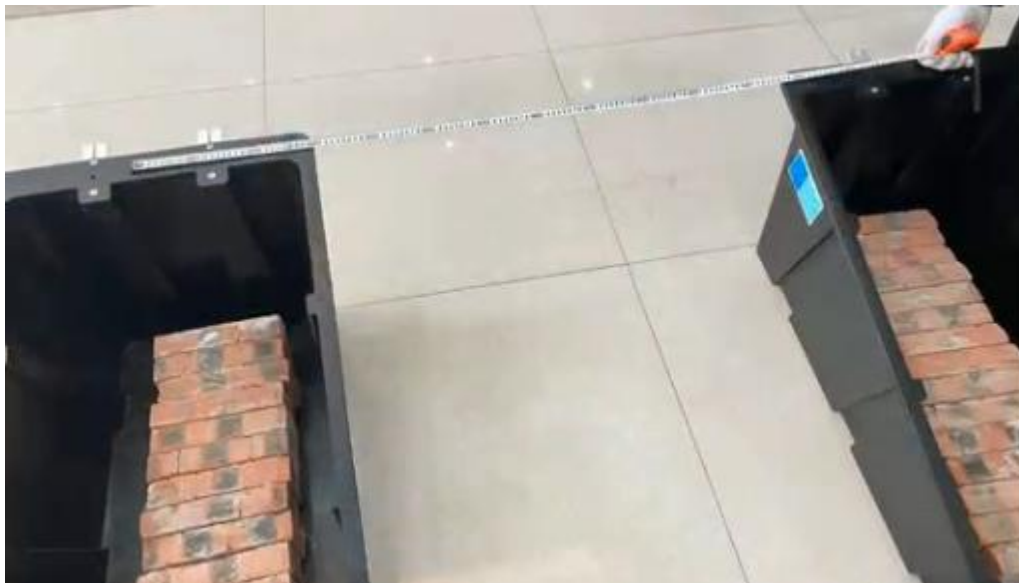


Ground Solar Mounting

4. Place fillers (bricks, stones, not less than 70kg).



5. Adjust the position of the bracket according to the length of the board.





Ground Solar Mounting

6. Take out the clamps, install the M6*28mm round head screw on the clamps, as shown in the picture.



7. Place the clamps on the guide rail, do not fix it.





Ground Solar Mounting

8. Place the solar panels.



9. After confirming the position of the solar panel, tighten the screws on the clamps to fix it.





Ground Solar Mounting

10. Finished.



11. The current version of these installation instructions is available at,
<https://www.jsszsolar.com/product/817.html>